



CITY OF MADISON
DEPT OF PUBLIC WORKS
ENGINEERING DIVISION
CITY COUNTY BLDG RM 115
MADISON, WI 53703
PHONE: 608-265-4131

MONONA TERRACE AIRWALL REPLACEMENT
1 JOHN NOLEN DRIVE
MADISON, WI

AIRWALL
REPLACEMENT
FLOOR PLAN

CONTRACT
8244
MUNIS
80007
DRWN BY: LAW
DATE 08/23/18
REV:

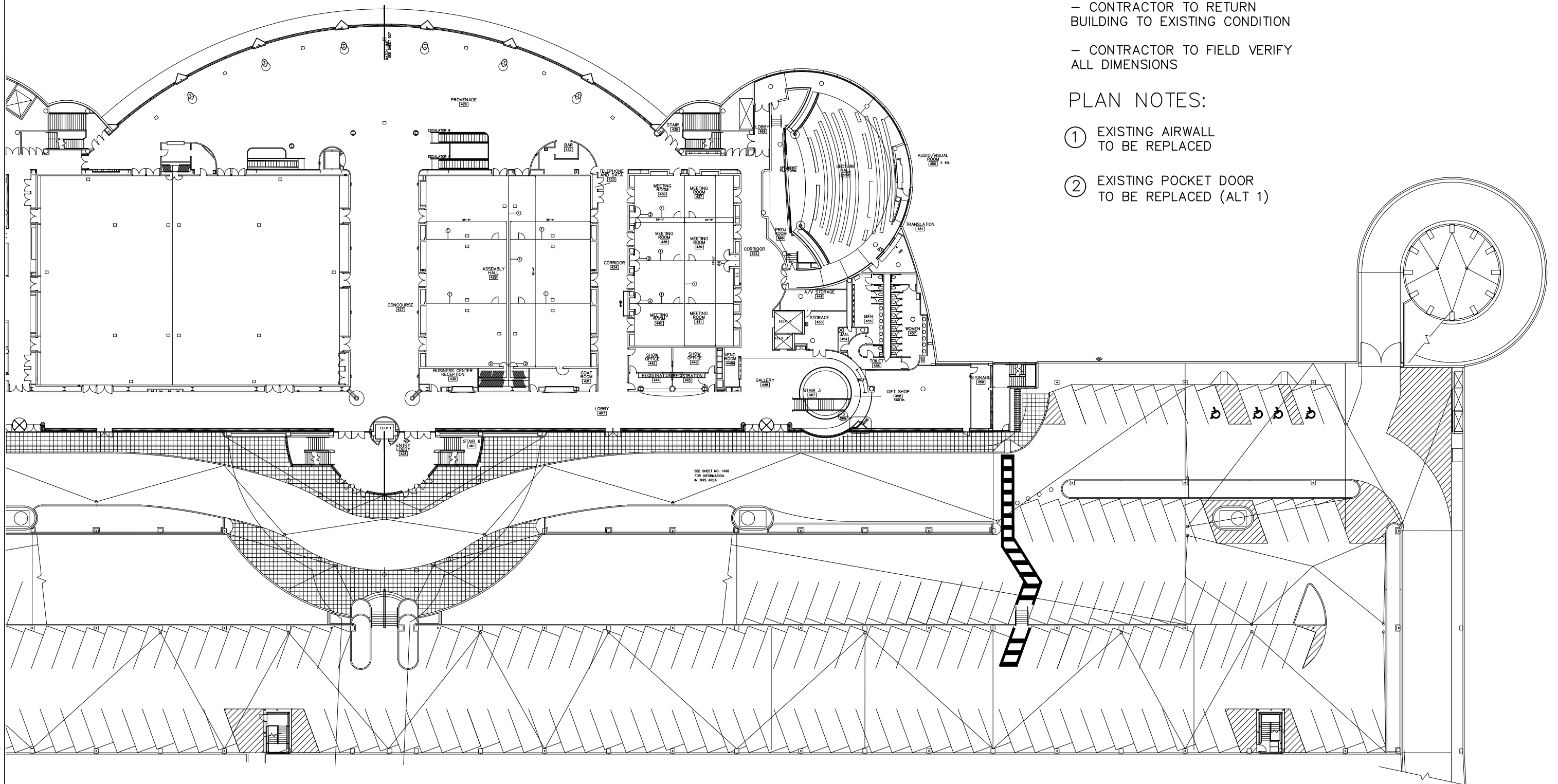
SHT
001

GENERAL NOTES:

- THESE DRAWINGS FURTHER SUPPORTED BY SPECIFICATIONS
- CONTRACTOR TO RETURN BUILDING TO EXISTING CONDITION
- CONTRACTOR TO FIELD VERIFY ALL DIMENSIONS

PLAN NOTES:

- ① EXISTING AIRWALL TO BE REPLACED
- ② EXISTING POCKET DOOR TO BE REPLACED (ALT 1)

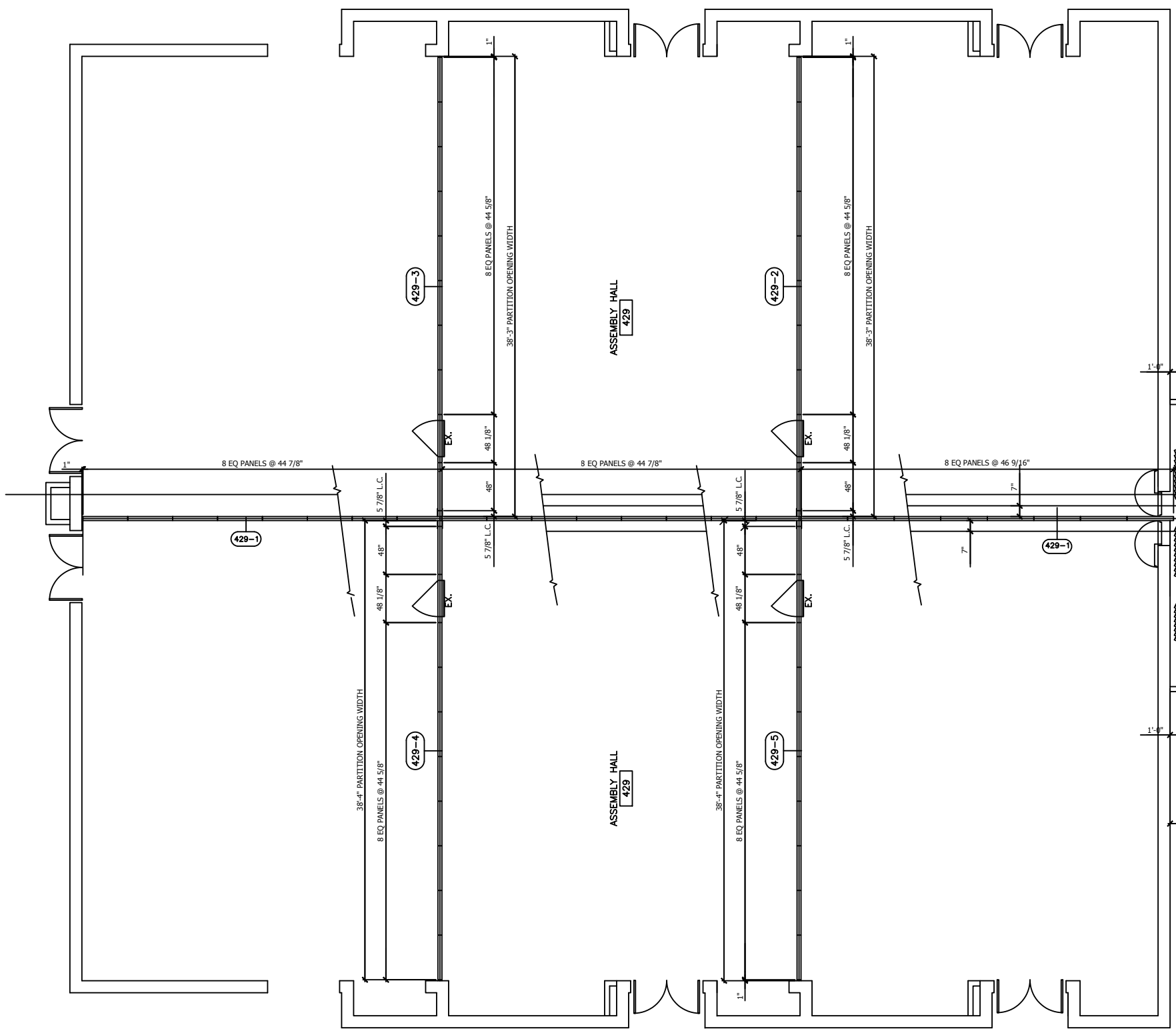




CITY OF MADISON
DEPT OF PUBLIC WORKS
ENGINEERING DIVISION
CITY COUNTY BLDG RM 115
MADISON, WI 53703
PHONE: 608-265-4151

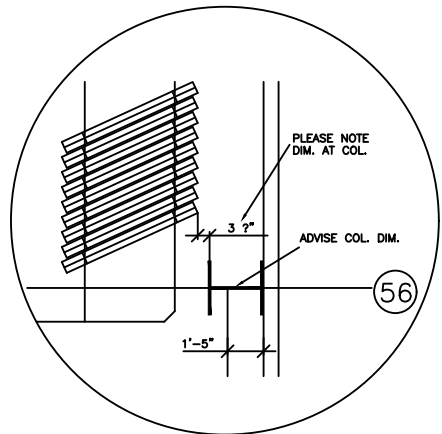
MONONA TERRACE AIRWALL REPLACEMENT
1 JOHN NOLEN DRIVE, 53703
MADISON, WI

CONTRACT	# 8244
MUNIS	# 80007
DATE	08/23/2018
REV:	
SHT	002

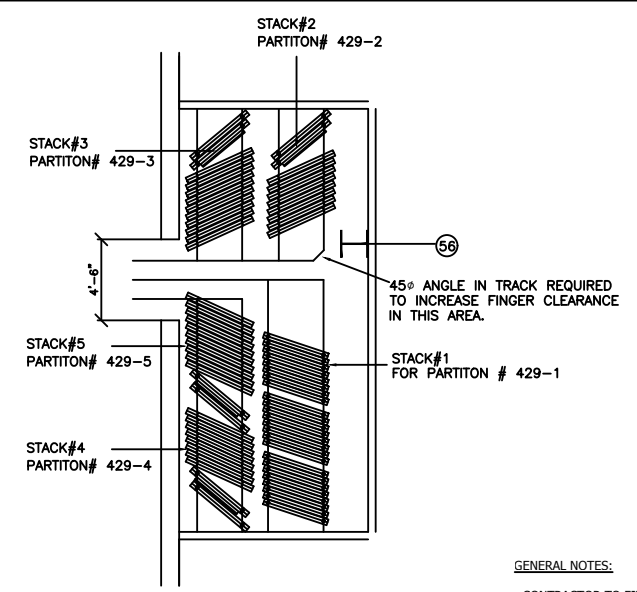


ASSEMBLY HALL/HALL OF IDEAS AIRWALL SCHEDULE					
WALL TAG	429-1	429-2	429-3	429-4	429-5
SECTION 1 PANELS	8 EQ PANELS @ 44 5/8"	1 PANEL @ 48"	1 PANEL @ 48"	1 PANEL @ 48"	1 PANEL @ 48"
SECTION 2 PANELS	8 EQ PANELS @ 44 5/8"	1 PANEL W/ PASSDOOR @ 48 1/8"	1 PANEL W/ PASSDOOR @ 48 1/8"	1 PANEL W/ PASSDOOR @ 48 1/8"	1 PANEL W/ PASSDOOR @ 48 1/8"
SECTION 3 PANELS	8 EQ PANELS @ 46 9/16"	8 EQ PANELS @ 44 5/8"	8 EQ PANELS @ 44 5/8"	8 EQ PANELS @ 44 5/8"	8 EQ PANELS @ 44 5/8"

PARTIAL FLOOR PLAN
SCALE: 3/16" = 1'-0"
EX. = EXIT SIGN

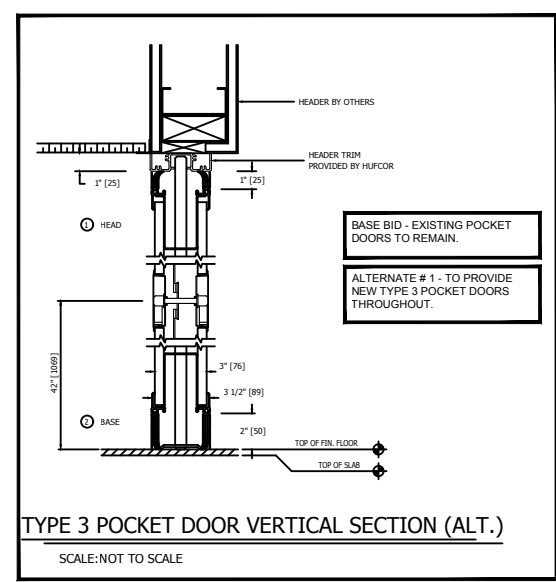
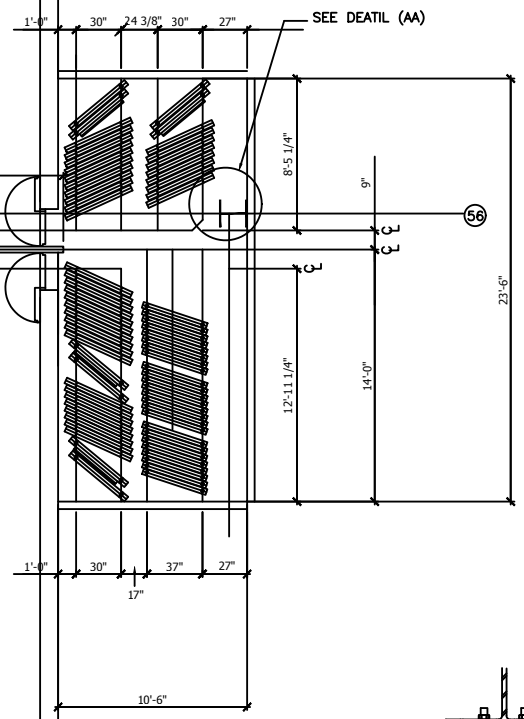


DETAIL AA
SCALE: NOT TO SCALE



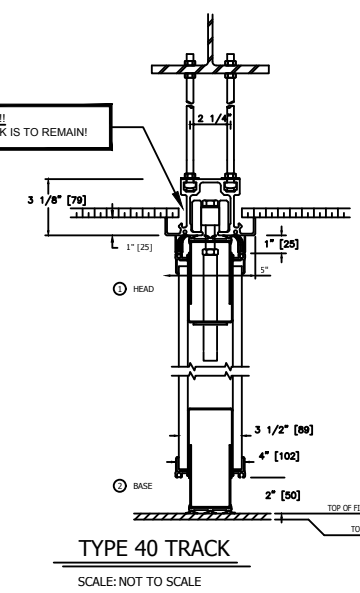
STACK LAYOUT
SCALE: NOT TO SCALE

- GENERAL NOTES:**
- CONTRACTOR TO FIELD VERIFY ALL DIMENSIONS.
 - EXISTING TYPE 40 TRACK TO REMAIN.
 - THESE DRAWINGS FURTHER SUPPORTED BY SPECIFICATIONS
 - CONTRACTOR TO RETURN BUILDING TO EXISTING CONDITION FOLLOWING WORK.



TYPE 3 POCKET DOOR VERTICAL SECTION (ALT.)
SCALE: NOT TO SCALE

PLEASE NOTE!!
TYPE 40 TRACK IS TO REMAIN!



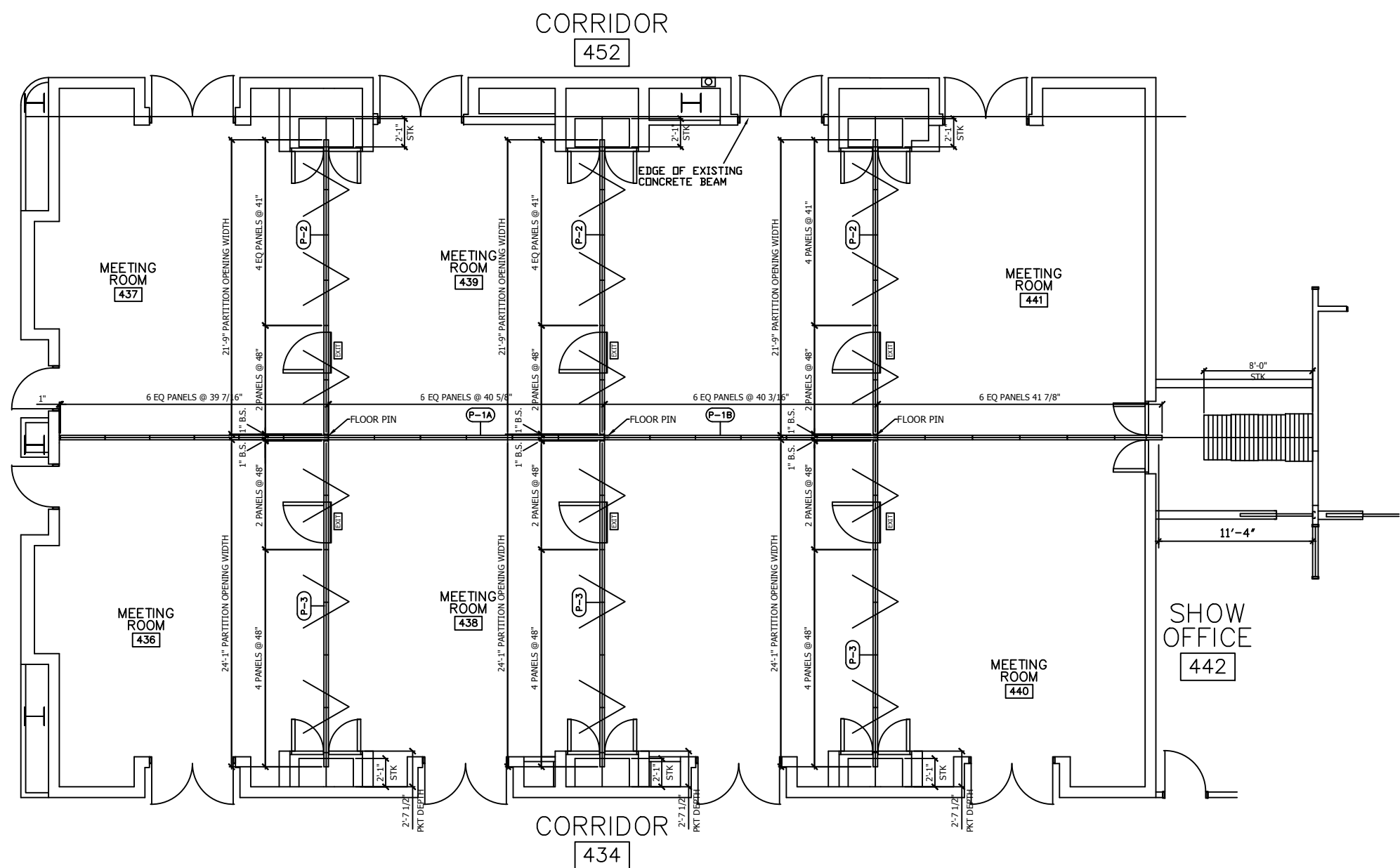
TYPE 40 TRACK
SCALE: NOT TO SCALE

**ASSEMBLY HALL/ HALL OF IDEAS
MONONA TERRACE
MADISON, WI**

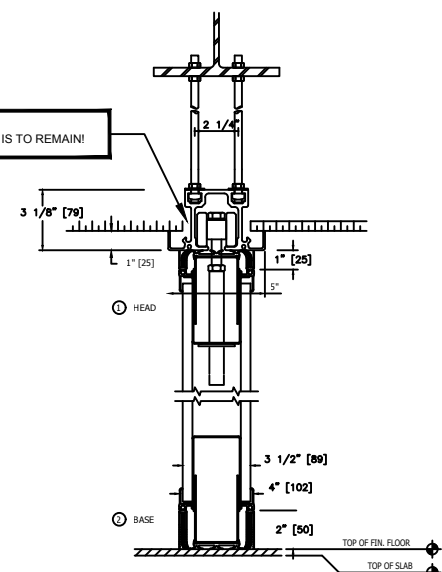


CITY OF MADISON
DEPT OF PUBLIC WORKS
ENGINEERING DIVISION
CITY COUNTY BLDG RM 115
210 MARTIN LUTHER KING JR BLVD
MADISON, WI 53703
PHONE: 608-265-4131

MONONA TERRACE AIRWALL REPLACEMENT
1 JOHN NOLEN DRIVE, 53703
MADISON, WI

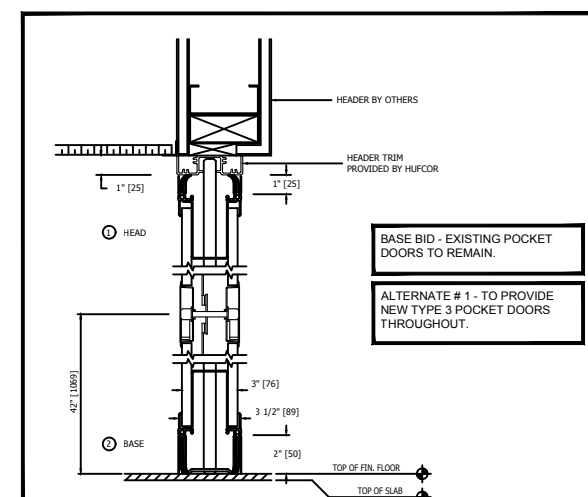


PLEASE NOTE!!
TYPE 40 TRACK IS TO REMAIN!



TYPE 40 TRACK
SCALE: NOT TO SCALE

- GENERAL NOTES:**
- CONTRACTOR TO FIELD VERIFY ALL DIMENSIONS.
 - EXISTING TYPE 40 TRACK TO REMAIN.
 - THESE DRAWINGS FURTHER SUPPORTED BY SPECIFICATIONS
 - CONTRACTOR TO RETURN BUILDING TO EXISTING CONDITION FOLLOWING WORK.



BASE BID - EXISTING POCKET DOORS TO REMAIN.
ALTERNATE # 1 - TO PROVIDE NEW TYPE 3 POCKET DOORS THROUGHOUT.

TYPE 3 POCKET DOOR VERTICAL SECTION (ALT.)
SCALE: NOT TO SCALE

MEETING ROOMS AIRWALL SCHEDULE				
WALL TAG	P-1A	P-1B	P-2	P-3
SECTION 1 PANELS	6 EQ PANELS @ 39 7/16"	6 EQ PANELS @ 40 3/8"	2 EQ PANELS @ 48" PASSDOOR IN 1 PANEL	2 EQ PANELS @ 48" PASSDOOR IN 1 PANEL
SECTION 2 PANELS	6 EQ PANELS @ 40 3/8"	6 EQ PANELS @ 41 1/2"	4 EQ PANELS @ 41"	4 EQ PANELS @ 48"

**MEETING ROOMS
MONONA TERRACE
MADISON, WI**

CONTRACT # 8244
MUNIS # 80007
DATE 08/23/2018
REV: _____
SHT
003

DRAWN: 07/18/18 BY: BD SHEET: 1 OF: 1 LAYOUT